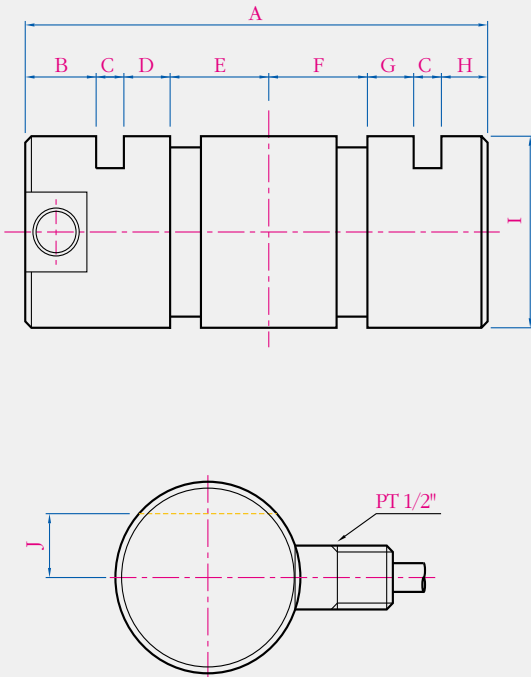


Pin type load cell 5tf ~ 50tf



014 + 015

POINT
BH4 Series

Specifications			
Rated Capacity		5, 10, 20, 30, 50	tf
Rated output		1.0±10%	mV/V
Non - linearity		0.2	%
Hysteresis		0.2	%
Repeatability		0.2	%
Creep for 20min		0.2	%
Zero Balance		1	%
Temperature range	Compensated	-10~70	°C
	Safe	-20~80	°C
Temp.effect on	Rated Output	0.05	%/10°C
	Zero balance	0.05	%/10°C
Resistance	Insulation(Min)	2,000	MΩ
	Input	350±5	Ω
Excitation	Output	350±5	Ω
	Recommended	10	V
	Maximum	18	V
Safe overload		150	%
Electrical connection		ø9mm × 4C × 3	M

Features
Pin type
Specially design
Protection class IP67

For
Crane scale system
Load limiter system
Other force measuring

Material
High alloy tool steel

Cable Color Code	
EXC.(+) : RED	EXC.(-) : WHITE
SIG.(+) : GREEN	SIG.(-) : BLUE
SHIELD : YELLOW	

Capacity	A	B	C	D	E	F	G	H	øI	J
5tf	118	19	8	10	29	29	10	5	ø50	15
10tf	132	22	11	6	33	33	6	10	ø50	15
20tf	153	23	10	8	42	42	8	10	ø75	25
30tf	238	25	13	20	65	65	20	17	ø80	26
50tf	308	10	12	27	95	95	27	30	ø100	39

(THE ABOVE PRODUCTS IS ORDER PRODUCTION TYPE)