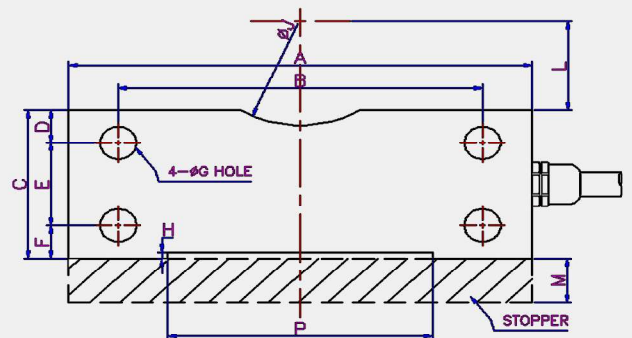


BH6 SERIES

Compression load cell 5tf ~ 90tf



Features

Single ended shear beam

High accuracy

Protection class IP67

For

Crane scale system

Load limiter system

Other force measuring

Material

Nickel plated steel

Cable Color Code

EXC.(+) : RED EXC.(-) : WHITE

SIG.(+) : GREEN SIG.(-) : BLUE

SHIELD : YELLOW

Specifications

Rated Output		1.0mV/V \pm 10	%
Non - linearity		\pm 0.5	%
Hysteresis		\pm 0.5	%
Repeatability		\pm 0.05	%
Excitation	Recommended	10	V
Zero Balance		\pm 1	%
Temperature range	Compensated	-20 ~ +80	$^{\circ}$ C
Temp.effect on	Rate Output	0.05	%
	Zero balance	0.05	%
Safe overload		150	%
Resistance	Insulation	2,000M Ω	
	Input	350 Ω \pm 5	
	Output	350 Ω \pm 5	