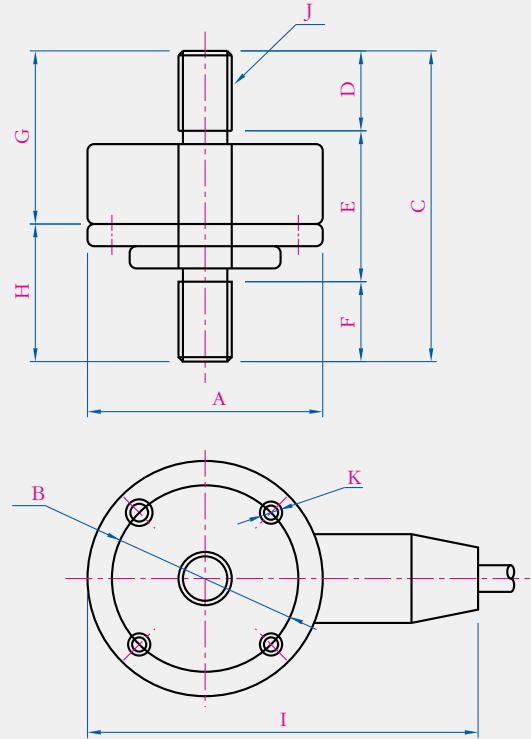


## Tension & Compression load cell 50kgf ~ 1tf



014 + 015

POINT  
PCT6 Series

Features	
Compact size with low profile	
Miniature design	
Application for limited space	
Protection class IP67	
For	
Hopper & Tank Weighing system	
Testing & Weighing system	
Other force measuring	
Tension & Compression application	
Material	
Nickel plated steel	
Cable Color Code	
EXC.(+) : RED	EXC.(-) : WHITE
SIG.(+) : GREEN	SIG.(-) : BLUE
SHIELD : YELLOW	

Specifications			
Rated Capacity		50, 100, 200, 500, 1tf	kgf
Rated output		2±0.005%	mV/V
Non - linearity		0.15	%
Hysteresis		0.15	%
Repeatability		0.10	%
Creep for 20min		0.03	%
Zero Balance		1	%
Temperature range	Compensated	-10~70	°C
	Safe	-20~80	°C
Temp.effect on	Rated Output	0.1	%/10°C
	Zero balance	0.1	%/10°C
Resistance	Insulation(Min)	2,000	MΩ
	Input	420±30	Ω
Excitation	Output	350±3.5	Ω
	Recommended	10	V
Safe overload	Maximum	15	V
		150	%
Electrical connection		ø6mm × 4C × 3	M

Capacity	øA	øB	C	D	E	F	G	H	I	J	K
50,100, 200, 500kgf,1tf	53	42	70	18	34	18	39	31	88	M12x1.75	M5 x 0.8P D. P8

(THE ABOVE PRODUCTS IS ORDER PRODUCTION TYPE)