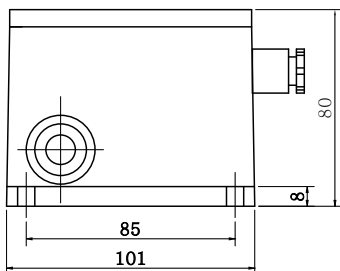
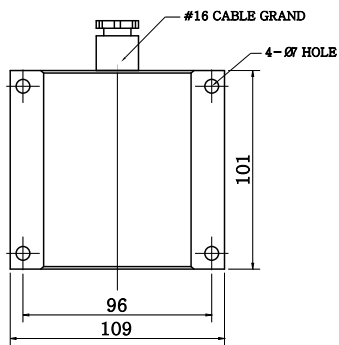
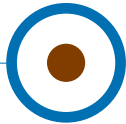


Length Detector

PL-20A SERIES

Length Detector



FEATURES

- HIGH LINEARITY THROUGH PRECISION WIRE WINDING
- LONG LIFE
- HIGH FOLLOWING CHARACTERISTIC
- LOW NOISE
- ROHS COMPLIANT

APPLICATIONS

- TOWER CRANE

SPECIFICATIONS

| | |
|---------------------------|-----------------------------|
| POWER SUPPLY | DC 10V |
| OUTPUT SIGNAL | 0 - ± 2.5V |
| LOAD CELL EXCITATION | DC 10V 140mA |
| WORKING TEMPERATURE RANGE | -55°C ~ +85°C |
| RELATIVE HUMIDITY | 85% RH MAX (NON-CONDENSING) |
| ACCURACY | ±1-5% |